

Submittal Sheet



1363-BFC2PMA



DATE: _____ LASCO PLANT: _____
 CUSTOMER: _____ JOB NAME: _____
 PO #: _____ SHIP TO: _____
 QUOTE #: _____ QUANTITY: _____

_____/_____/_____
 PLUMBING CONTRACTOR APPROVAL DATE GENERAL CONTRACTOR APPROVAL DATE
 _____/_____/_____
 ENGINEER APPROVAL DATE ARCHITECT APPROVAL DATE

**To complete your order, this document must be signed and faxed to the LASCO Bathware Centralized Customer Service Center.
 Fax (866) 544-5353 • Phone (800) 94 LASCO**

1363-BFC2PMA	
Int. Dim.	36"W x 36"D x 75½"H (915 x 915 x 1910)mm
Ext. Dim.	39"W x 38¾"D x 77½"H (990 x 985 x 1960)mm
Skirt Ht.	¾" (20mm) skirt, NO interior threshold
Weight	171.5 lbs. (77 kg.) gross
Material	LASCOAT (Gelcoat)
Warranty	LASCOAT Finished Products — Three Years
Code Listed	Massachusetts

WARNING: Due to government regulations regarding ADA compliance, all ADA compliant shower units with NO inside curb and a ¾" or 1" skirt, will have water escape onto bathroom floor. LASCO highly recommends you take the following precautions:

1. Install only the minimum number of ADA units without an interior curb and a ¾" or 1" skirt required for each job. If possible, install LASCO's barrier-free models that have a 1½" or 2" high skirt, which have a ½" interior curb, reducing the amount of water that escapes from the shower.
2. When installing units with NO interior curb install a FLOOR DRAIN to control the water that escapes onto the bathroom floor.
3. Depending on your application, you may choose to install LASCO's vinyl flexible dam or removable threshold, which helps better retain water within the shower. However, these items may not necessarily meet ADA or other code requirements. Please check with your Local Building Authority for final approval.

STANDARD FEATURES

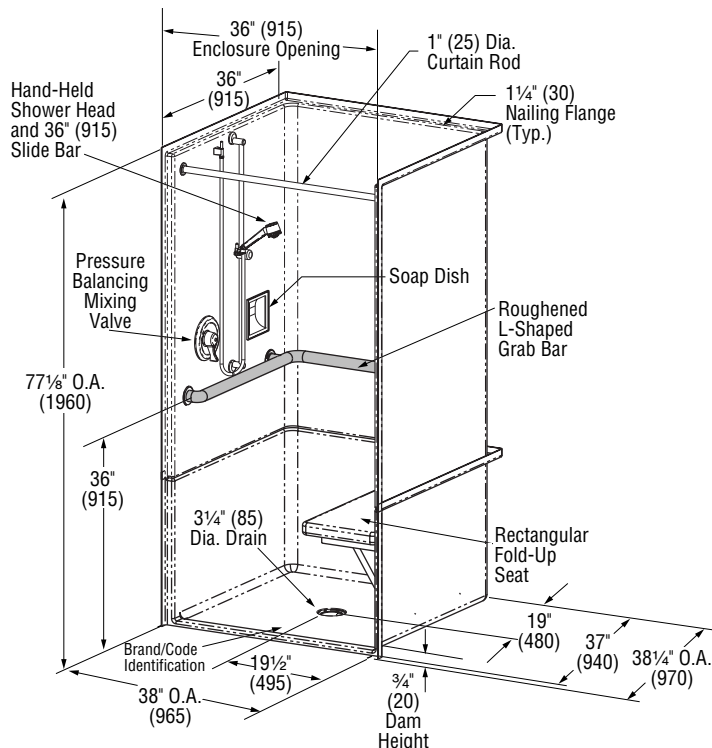
- MA Code compliant [when fully equipped]
- 2-piece sectional design
- BathLock™ front installation system
- Center drain location
- Slip resistant, textured bottom [ASTM F-462]

RECOMMENDED ACCESSORIES

- Fixture Wall: Left Right
- Roughened horizontal L-shaped grab bar [1½" dia. (40mm)]:
 Fixture wall 31½" (800mm), Back wall 18" (455mm)
- Rectangular fold-up cushioned seat [opposite fixture wall]
- Hand-held shower
- 36" (915mm) slide bar, vacuum breaker and 60" (1525mm) hose
- Pressure balancing mixing valve
- Soap dish
- Curtain rod Shower curtain
- Vinyl flexible dam
- Removable threshold
- Standard Colors: White Bone
 Almond Other _____
- Brass drain
- Additional accessories _____

For pricing of units and additional options, reference The Complete Works Price Book.

Please indicate custom changes on reverse side drawings.



PLEASE REFERENCE PAGE – i – FOR CODES AND PRODUCT SPECIFICATIONS

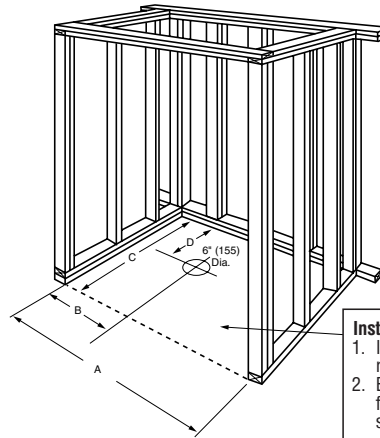
Submittal Sheet



1363-BFC2PMA

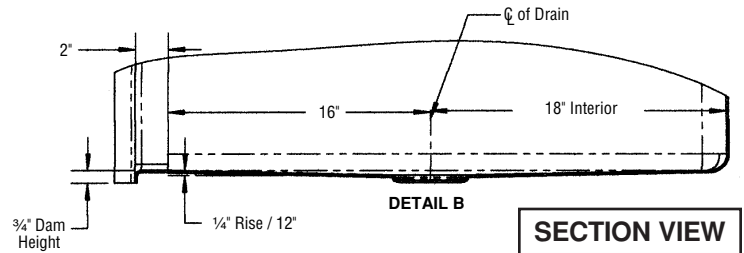
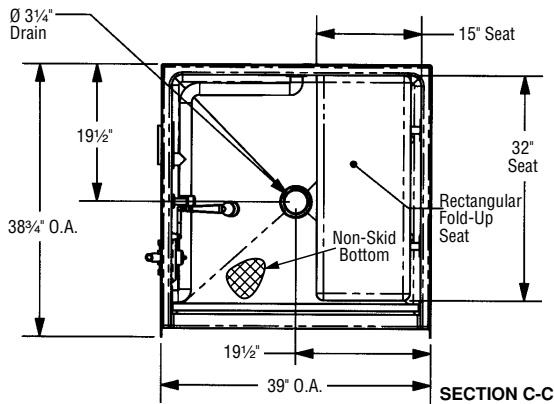
FRAMING DIMENSIONS

Dim. A	39 1/8" (995mm)
Dim. B	19 1/2" (495mm)
Dim. C	38 3/4" (985mm)
Dim. D	19 1/2" (495mm)

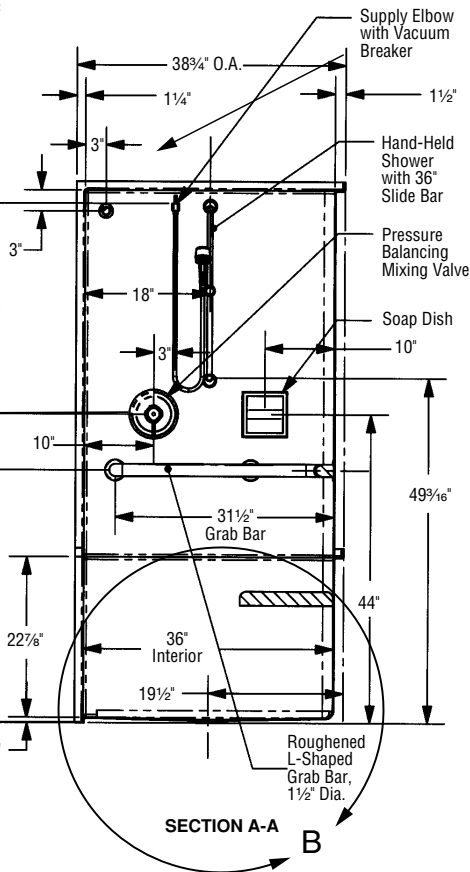
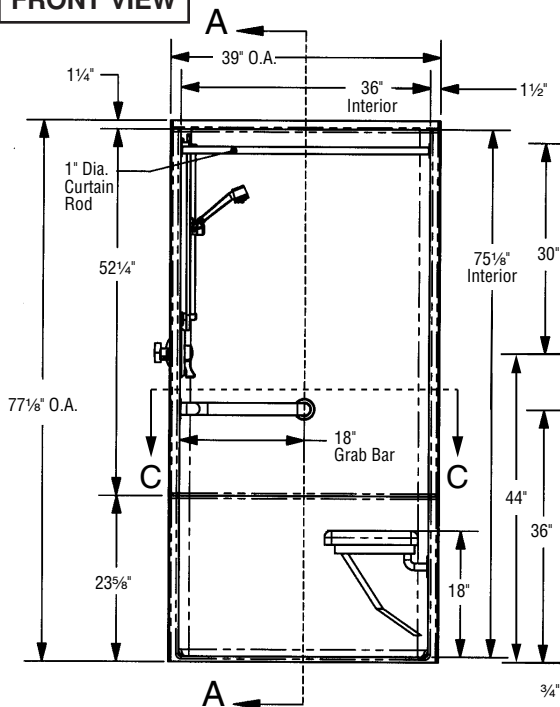


Installation Options:
 1. Install in a recessed pit for rough-in floor installation.
 2. Build sub-floor to level finished floor with top of shower threshold.

Please indicate changes needed.



FRONT VIEW



SIDE VIEW

Shell tolerance: +0, -3/8"
 All other tolerances: ±1"

FAX TO THE LASCO BATHWARE CENTRALIZED CUSTOMER SERVICE CENTER
 (866) 544-5353