

# Submittal Sheet



## 1603-BFSTTX with Seat and L-Shaped Grab Bar



DATE: \_\_\_\_\_ LASCO PLANT: \_\_\_\_\_  
 CUSTOMER: \_\_\_\_\_ JOB NAME: \_\_\_\_\_  
 PO #: \_\_\_\_\_ SHIP TO: \_\_\_\_\_  
 QUOTE #: \_\_\_\_\_ QUANTITY: \_\_\_\_\_

PLUMBING CONTRACTOR APPROVAL \_\_\_\_\_ /\_\_\_\_\_/\_\_\_\_\_  
 DATE \_\_\_\_\_  
 GENERAL CONTRACTOR APPROVAL \_\_\_\_\_ /\_\_\_\_\_/\_\_\_\_\_  
 DATE \_\_\_\_\_  
 ENGINEER APPROVAL \_\_\_\_\_ /\_\_\_\_\_/\_\_\_\_\_  
 DATE \_\_\_\_\_  
 ARCHITECT APPROVAL \_\_\_\_\_ /\_\_\_\_\_/\_\_\_\_\_  
 DATE \_\_\_\_\_

**To complete your order, this document must be signed and faxed to the LASCO Bathware Centralized Customer Service Center.  
 Fax (866) 544-5353 • Phone (800) 94 LASCO**

1603-BFSTTX	
Int. Dim.	60"W x 34"D x 74 <sup>7</sup> / <sub>8</sub> "H (1525 x 865 x 1900)mm
Ext. Dim.	62"W x 36 <sup>1</sup> / <sub>4</sub> "D x 76 <sup>7</sup> / <sub>8</sub> "H (1575 x 920 x 1955)mm
Skirt Ht.	¾" (20mm) skirt, NO interior threshold
Weight	201.5 lbs. (91 kg.) gross
Material	LASCOAT (Gelcoat)
Warranty	LASCOAT Finished Products — Three Years
Code Listed	TAS

**WARNING: Due to government regulations regarding ADA compliance, all ADA compliant shower units with NO inside curb and a ¾" or 1" skirt, will have water escape onto bathroom floor. LASCO highly recommends you take the following precautions:**

1. Install only the minimum number of ADA units without an interior curb and a ¾" or 1" skirt required for each job. If possible, install LASCO's barrier-free models that have a 1½" or 2" high skirt, which have a ½" interior curb, reducing the amount of water that escapes from the shower.
2. When installing units with NO interior curb install a FLOOR DRAIN to control the water that escapes onto the bathroom floor.
3. Depending on your application, you may choose to install LASCO's vinyl flexible dam or removable threshold, which helps better retain water within the shower. However, these items may not necessarily meet ADA or other code requirements. Please check with your Local Building Authority for final approval.

### STANDARD FEATURES

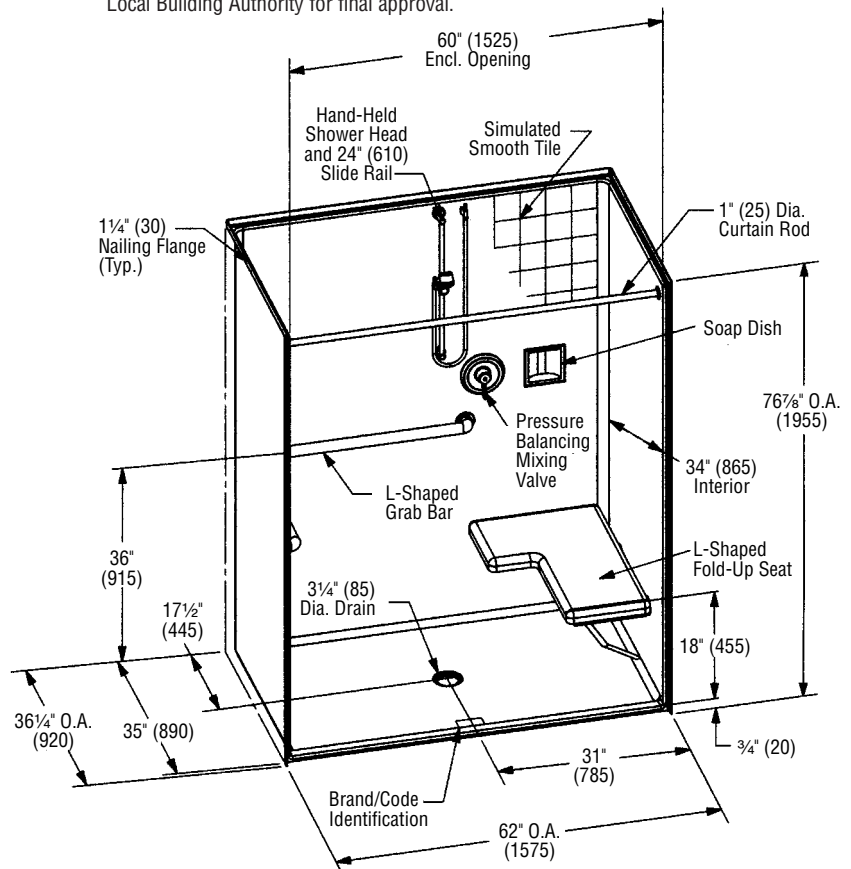
- Texas Accessibility Standards compliant [when fully equipped]
- 4" simulated smooth tile finish
- Barrier-free design
- Back fixture wall
- Center/center drain location
- Slip resistant, textured bottom [ASTM F-462]

### RECOMMENDED ACCESSORIES

- Grab bars [1½" dia. (40mm)]:  
 Adjacent seat: Horizontal L-shaped  
 30" x 37¼" (760 x 945)mm
  - Stainless Steel  Powder-Coated White
- L-shaped fold-up cushioned seat  LH  RH [adjacent fixture wall]
- Hand-held shower
- 24" (610mm) slide bar, vacuum breaker and 60" (1525mm) hose
- Pressure balancing mixing valve
- Soap dish
- Curtain rod  Shower curtain
- Vinyl flexible dam
- Removable threshold
- Standard Colors:  White  Bone  
 Almond  Other \_\_\_\_\_
- Brass drain
- Additional accessories \_\_\_\_\_

For pricing of units and additional options, reference The Complete Works Price Book.

**Please indicate custom changes on reverse side drawings.**



**PLEASE REFERENCE PAGE – i – FOR CODES AND PRODUCT SPECIFICATIONS**

**LASCO FreedomLine — TAS Compliant**

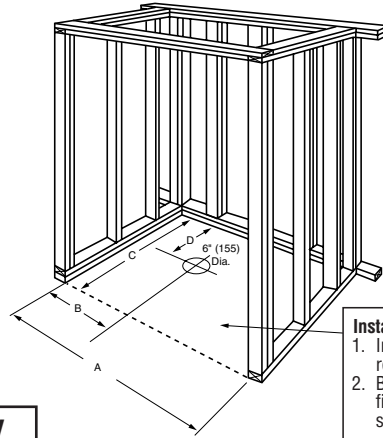
# Submittal Sheet



## 1603-BFSTTX with Seat and L-Shaped Grab Bar

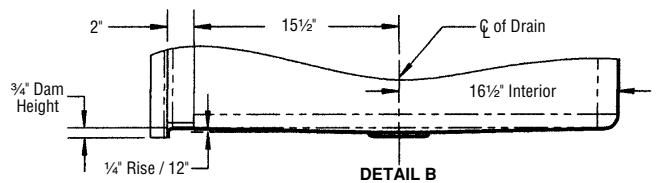
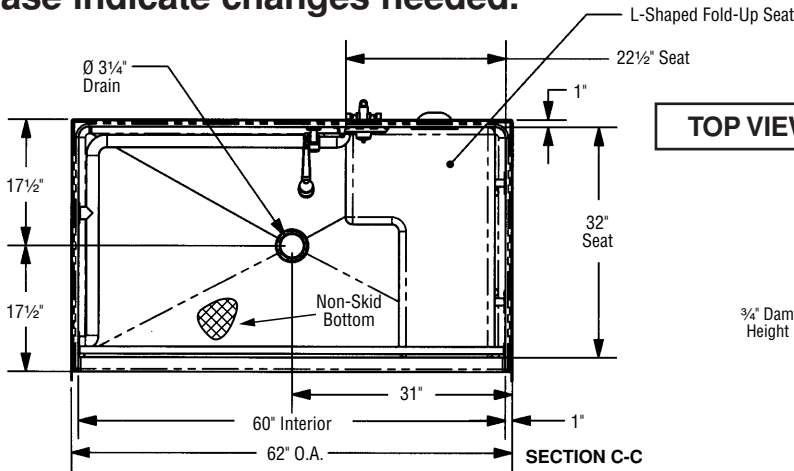
### FRAMING DIMENSIONS

Dim. A	62 1/8" (1580mm)
Dim. B	31" (790mm)
Dim. C	36 1/4" (920mm)
Dim. D	17 1/2" (445mm)

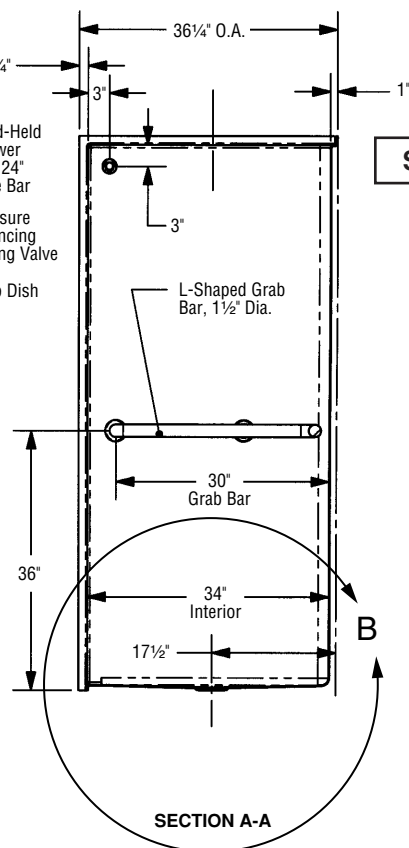
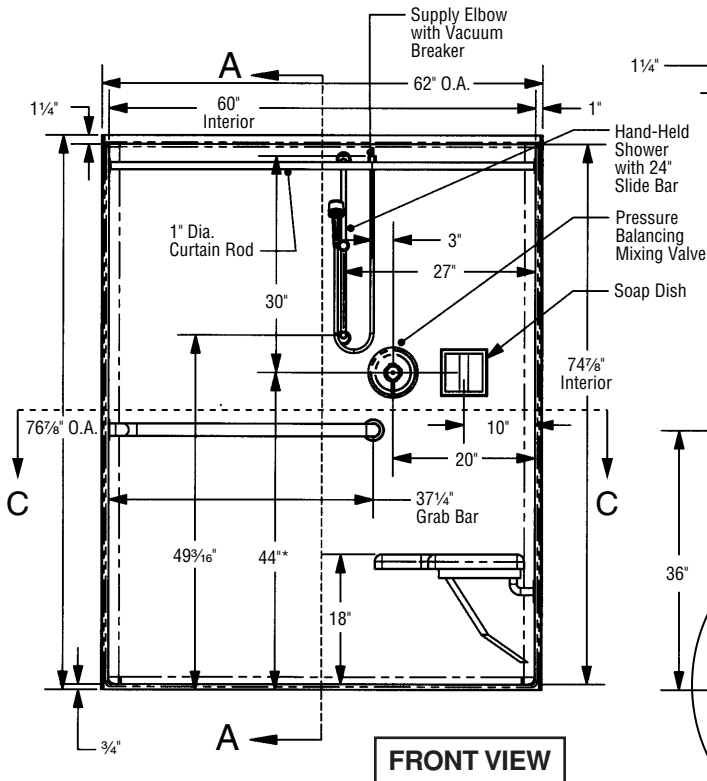


**Installation Options:**  
 1. Install in a recessed pit for rough-in floor installation.  
 2. Build sub-floor to level finished floor with top of shower threshold.

Please indicate changes needed.



**SECTION VIEW**



**SIDE VIEW**

Shell tolerance: +0, -3/8"  
 All other tolerances: ±1"

FAX TO THE LASCO BATHWARE CENTRALIZED CUSTOMER SERVICE CENTER  
 (866) 544-5353

# Submittal Sheet



## 1603-BFSTTX No Seat and U-Shaped Grab Bar



DATE: \_\_\_\_\_ LASCO PLANT: \_\_\_\_\_

CUSTOMER: \_\_\_\_\_ JOB NAME: \_\_\_\_\_

PO #: \_\_\_\_\_ SHIP TO: \_\_\_\_\_

QUOTE #: \_\_\_\_\_ QUANTITY: \_\_\_\_\_

PLUMBING CONTRACTOR APPROVAL \_\_\_\_\_ /\_\_\_\_\_/\_\_\_\_\_  
DATE

ENGINEER APPROVAL \_\_\_\_\_ /\_\_\_\_\_/\_\_\_\_\_  
DATE

GENERAL CONTRACTOR APPROVAL \_\_\_\_\_ /\_\_\_\_\_/\_\_\_\_\_  
DATE

ARCHITECT APPROVAL \_\_\_\_\_ /\_\_\_\_\_/\_\_\_\_\_  
DATE

**To complete your order, this document must be signed and faxed to the LASCO Bathware Centralized Customer Service Center.  
Fax (866) 544-5353 • Phone (800) 94 LASCO**

1603-BFSTTX	
Int. Dim.	60"W x 34"D x 74 <sup>7</sup> / <sub>8</sub> "H (1525 x 865 x 1900)mm
Ext. Dim.	62"W x 36 <sup>1</sup> / <sub>4</sub> "D x 76 <sup>7</sup> / <sub>8</sub> "H (1575 x 920 x 1955)mm
Skirt Ht.	¾" (20mm) skirt, NO interior threshold
Weight	201.5 lbs. (91 kg.) gross
Material	LASCOAT (Gelcoat)
Warranty	LASCOAT Finished Products — Three Years
Code Listed	TAS

**WARNING: Due to government regulations regarding ADA compliance, all ADA compliant shower units with NO inside curb and a ¾" or 1" skirt, will have water escape onto bathroom floor. LASCO highly recommends you take the following precautions:**

1. Install only the minimum number of ADA units without an interior curb and a ¾" or 1" skirt required for each job. If possible, install LASCO's barrier-free models that have a 1<sup>1</sup>/<sub>4</sub>" or 2" high skirt, which have a ½" interior curb, reducing the amount of water that escapes from the shower.
2. When installing units with NO interior curb install a FLOOR DRAIN to control the water that escapes onto the bathroom floor.
3. Depending on your application, you may choose to install LASCO's vinyl flexible dam or removable threshold, which helps better retain water within the shower. However, these items may not necessarily meet ADA or other code requirements. Please check with your Local Building Authority for final approval.

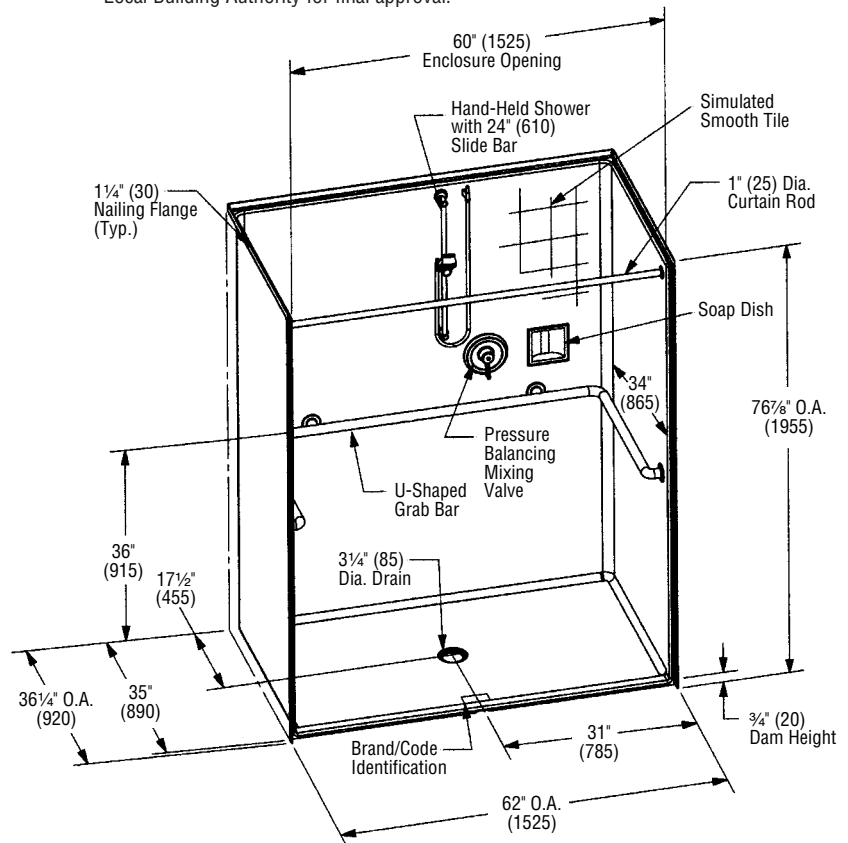
### STANDARD FEATURES

- Texas Accessibility Standards compliant [when fully equipped]
- 4" simulated smooth tile finish
- Barrier-free design
- Center/center drain location
- Slip resistant, textured bottom [ASTM F-462]

### RECOMMENDED ACCESSORIES

- Fixture wall:  Left  Right  Back
- Grab bars [1<sup>1</sup>/<sub>2</sub>" dia. (40mm)]:  
No seat: U-shaped  
30" x 60" x 30" (760 x 1525 x 760)mm  
 Stainless Steel  Powder-Coated White
- Hand-held shower
- 24" (610mm) slide bar, vacuum breaker and 60" (1525mm) hose
- Pressure balancing mixing valve
- Soap dish
- Curtain rod  Shower curtain
- Vinyl flexible dam
- Removable threshold
- Standard Colors:  White  Bone  
 Almond  Other \_\_\_\_\_
- Brass drain
- Additional accessories \_\_\_\_\_

For pricing of units and additional options, reference The Complete Works Price Book.



**Please indicate custom changes on reverse side drawings.**

**PLEASE REFERENCE PAGE – i – FOR CODES AND PRODUCT SPECIFICATIONS**

**LASCO FreedomLine — TAS Compliant**

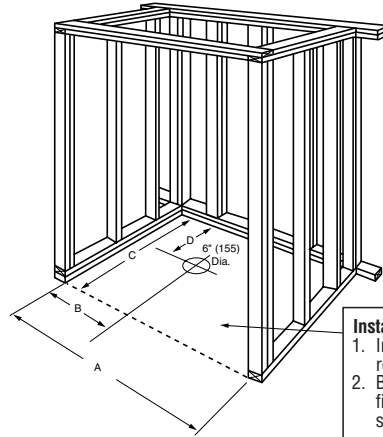
# Submittal Sheet



## 1603-BFSTTX No Seat and U-Shaped Grab Bar

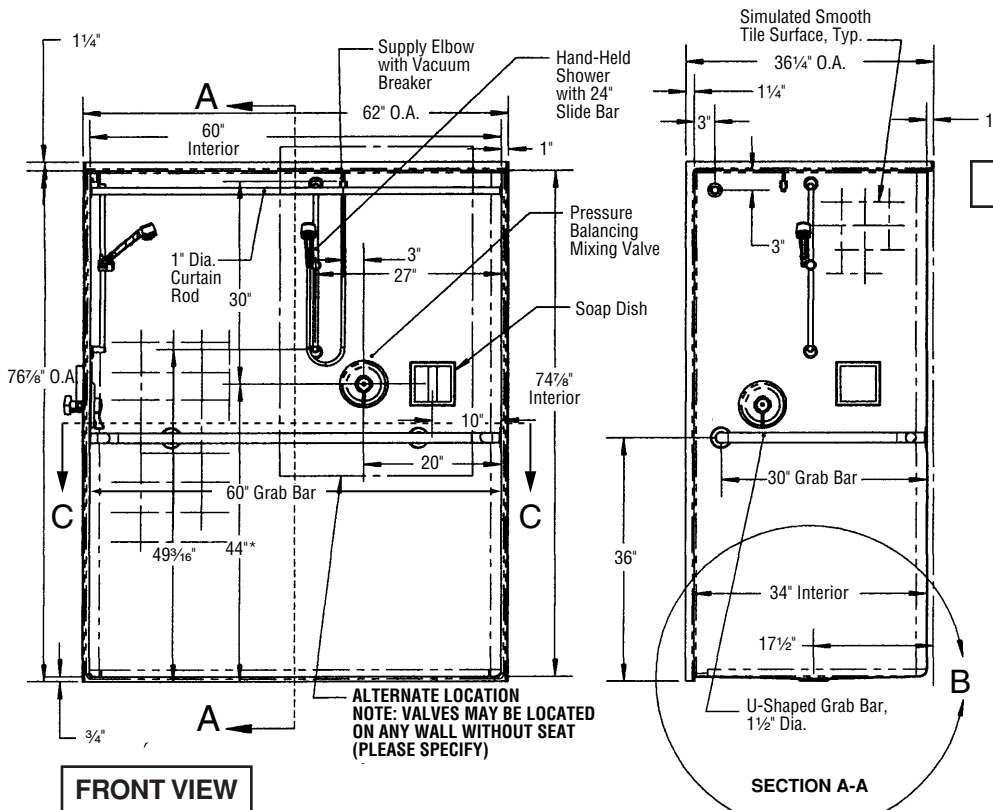
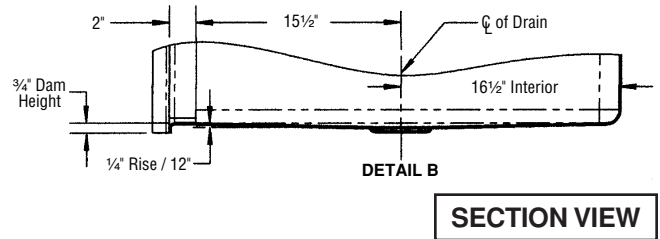
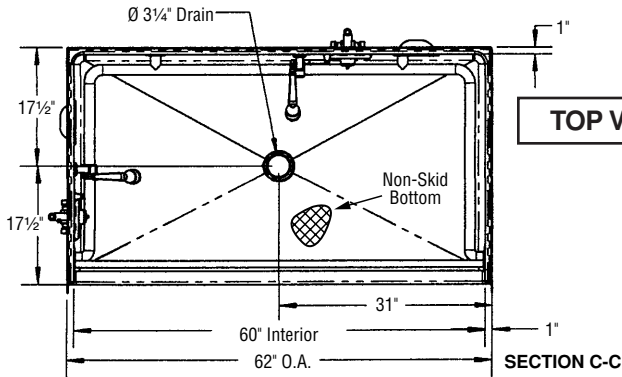
### FRAMING DIMENSIONS

Dim. A	62 1/8" (1580mm)
Dim. B	31" (790mm)
Dim. C	36 1/4" (920mm)
Dim. D	17 1/2" (445mm)



**Installation Options:**  
 1. Install in a recessed pit for rough-in floor installation.  
 2. Build sub-floor to level finished floor with top of shower threshold.

Please indicate changes needed.



Shell tolerance: +0, -3/8"  
 All other tolerances: ±1"

FAX TO THE LASCO BATHWARE CENTRALIZED CUSTOMER SERVICE CENTER  
 (866) 544-5353