

Submittal Sheet



1603-BFSTX with Seat and L-Shaped Grab Bar



DATE: _____ LASCO PLANT: _____
 CUSTOMER: _____ JOB NAME: _____
 PO #: _____ SHIP TO: _____
 QUOTE #: _____ QUANTITY: _____

PLUMBING CONTRACTOR APPROVAL _____ / _____ / _____ DATE _____
 GENERAL CONTRACTOR APPROVAL _____ / _____ / _____ DATE _____
 ENGINEER APPROVAL _____ / _____ / _____ DATE _____
 ARCHITECT APPROVAL _____ / _____ / _____ DATE _____

**To complete your order, this document must be signed and faxed to the LASCO Bathware Centralized Customer Service Center.
 Fax (866) 544-5353 • Phone (800) 94 LASCO**

1603-BFSTX	
Int. Dim.	60"W x 34"D x 75 ¹ / ₁₆ "H (1525 x 865 x 1905)mm
Ext. Dim.	62"W x 36 ¹ / ₄ "D x 77 ⁹ / ₁₆ "H (1575 x 920 x 1965)mm
Skirt Ht.	1" (25mm) skirt, NO interior threshold
Weight	201.5 lbs. (91kg) gross
Material	LASCOAT (Gelcoat)
Warranty	Lascoat Finished Products — Three Years
Code Listed	TAS

WARNING: Due to government regulations regarding ADA compliance, all ADA compliant shower units with NO inside curb and a 3/4" or 1" skirt, will have water escape onto bathroom floor. LASCO highly recommends you take the following precautions:

1. Install only the minimum number of ADA units without an interior curb and a 3/4" or 1" skirt required for each job. If possible, install LASCO's barrier-free models that have a 1 1/2" or 2" high skirt, which have a 1/2" interior curb, reducing the amount of water that escapes from the shower.
2. When installing units with NO interior curb install a **FLOOR DRAIN** to control the water that escapes onto the bathroom floor.
3. Depending on your application, you may choose to install LASCO's vinyl flexible dam or removable threshold, which helps better retain water within the shower. However, these items may not necessarily meet ADA or other code requirements. Please check with your Local Building Authority for final approval.

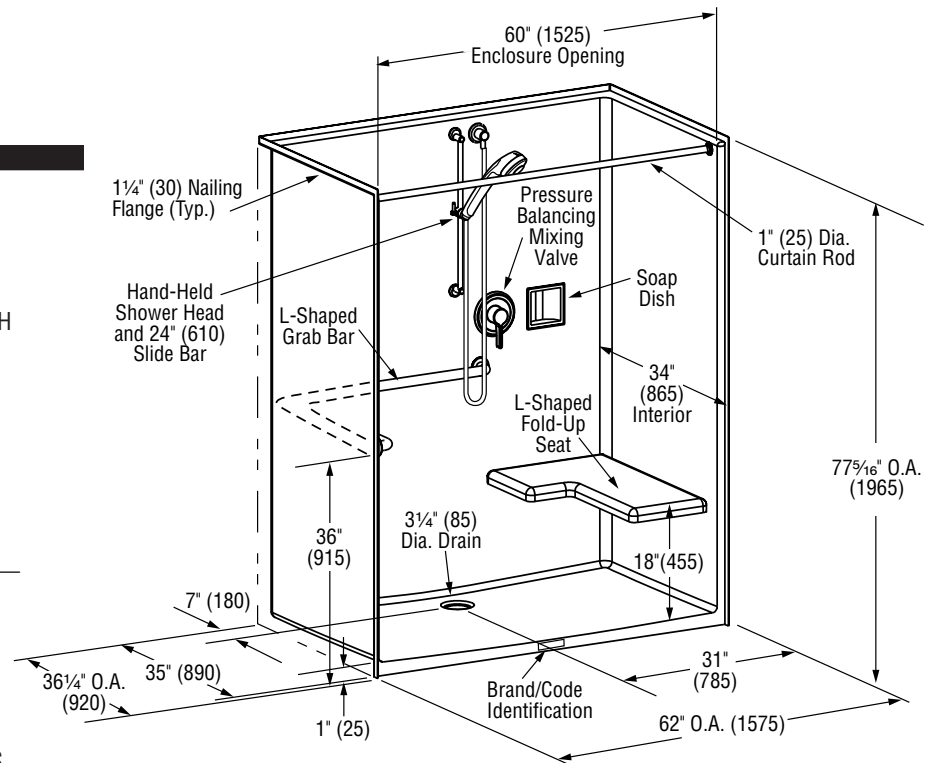
STANDARD FEATURES

- *Texas Accessibility Standards compliant [when fully equipped]
- Barrier-free design
- Center rear drain location
- Slip resistant, textured bottom [ASTM F-462]

RECOMMENDED ACCESSORIES

- RH, LH or Back fixture wall
- Grab bars [1 1/2" dia. (40mm)]:
 Adjacent seat: Horizontal L-shaped
 30" x 37 1/4" (730 x 945)mm
 - Stainless Steel Powder-Coated White
- L-shaped fold-up cushioned seat LH RH [adjacent fixture wall]
- Hand-held shower
- 24" (610mm) slide bar, vacuum breaker and 60" (1525mm) hose
- Pressure balancing mixing valve
- Soap dish
- Curtain rod Shower curtain
- Brass drain
- Additional accessories _____

For pricing of units and additional options, reference The Complete Works Price Book.



Please indicate custom changes on reverse side drawings.

PLEASE REFERENCE PAGE – i – FOR CODES AND PRODUCT SPECIFICATIONS

LASCO FreedomLine — TAS Compliant

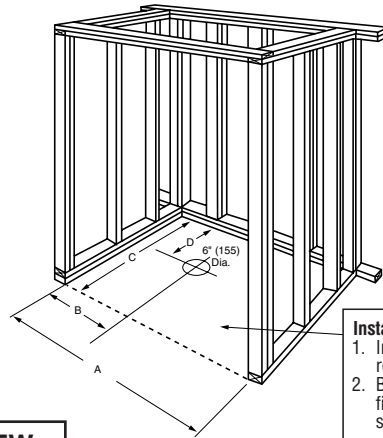
Submittal Sheet



1603-BFSTX with Seat and L-Shaped Grab Bar

FRAMING DIMENSIONS

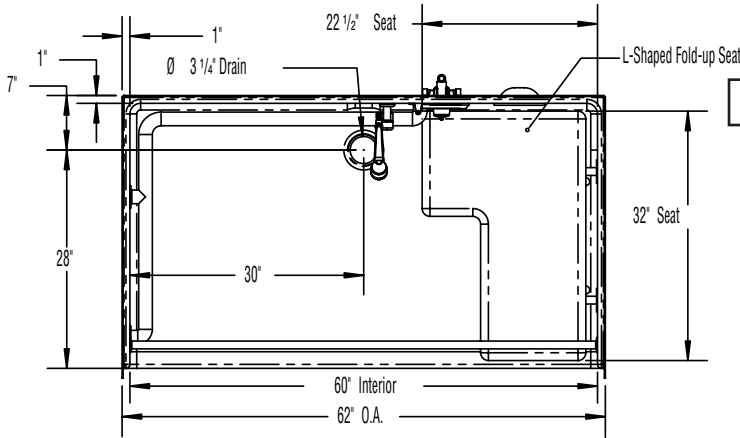
Dim. A	62 1/8" (1580mm)
Dim. B	31" (790mm)
Dim. C	36 1/4" (920mm)
Dim. D	7" (180mm)



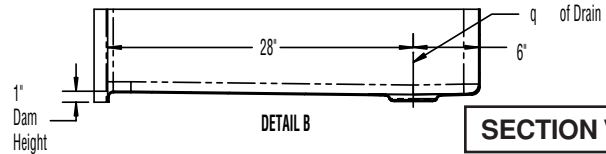
Installation Options:

1. Install in a recessed pit for rough-in floor installation.
2. Build sub-floor to level finished floor with top of shower threshold.

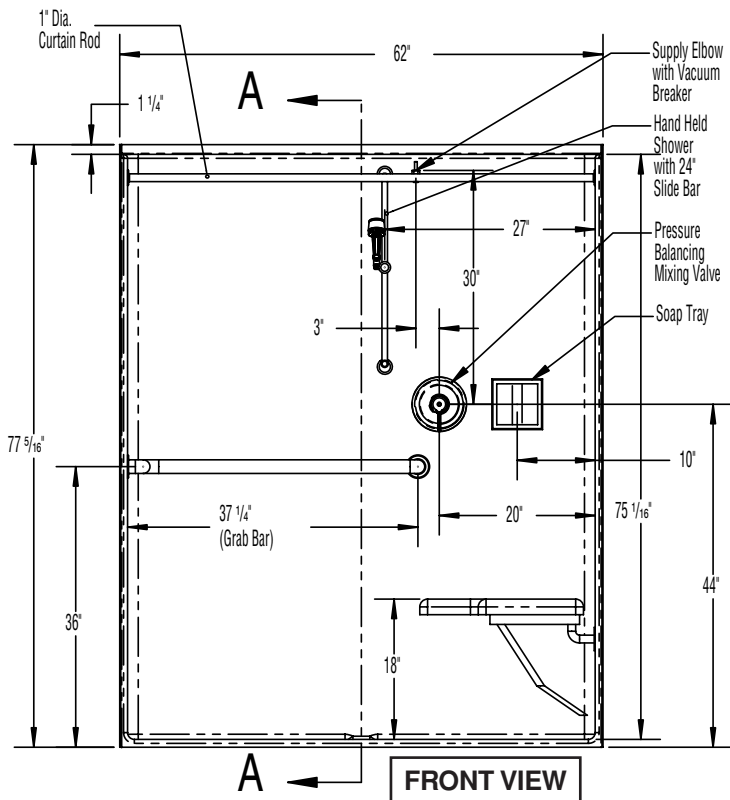
Please indicate changes needed.



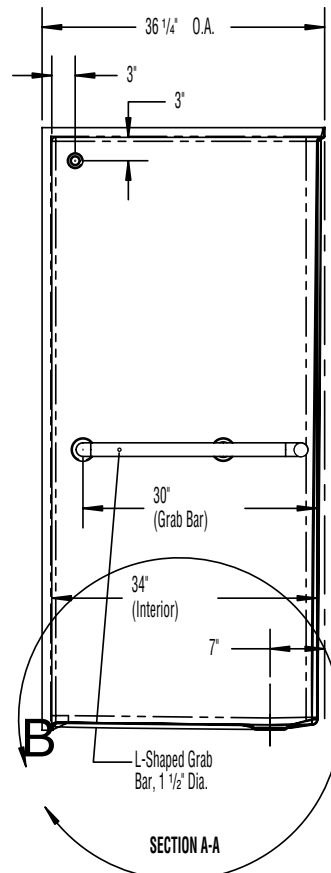
TOP VIEW



SECTION VIEW



FRONT VIEW



SIDE VIEW

Shell tolerance: +0, -3/8"
All other tolerances: ±1"

FAX TO THE LASCO BATHWARE CENTRALIZED CUSTOMER SERVICE CENTER
(866) 544-5353

Submittal Sheet



1603-BFSTX No Seat and U-Shaped Grab Bar



DATE: _____ LASCO PLANT: _____
 CUSTOMER: _____ JOB NAME: _____
 PO #: _____ SHIP TO: _____
 QUOTE #: _____ QUANTITY: _____

PLUMBING CONTRACTOR APPROVAL _____ /_____/_____
 DATE
 GENERAL CONTRACTOR APPROVAL _____ /_____/_____
 DATE
 ENGINEER APPROVAL _____ /_____/_____
 DATE
 ARCHITECT APPROVAL _____ /_____/_____
 DATE

**To complete your order, this document must be signed and faxed to the LASCO Bathware Centralized Customer Service Center.
 Fax (866) 544-5353 • Phone (800) 94 LASCO**

1603-BFSTX	
Int. Dim.	60"W x 34"D x 75 ¹ / ₁₆ "H (1525 x 865 x 1905)mm
Ext. Dim.	62"W x 36 ¹ / ₄ "D x 77 ⁵ / ₁₆ "H (1575 x 920 x 1965)mm
Skirt Ht.	1" (25mm) skirt, NO interior threshold
Weight	201.5 lbs. (91kg) gross
Material	LASCOAT (Gelcoat)
Warranty	Lascoat Finished Products — Three Years
Code Listed	TAS

WARNING: Due to government regulations regarding ADA compliance, all ADA compliant shower units with NO inside curb and a 3/4" or 1" skirt, will have water escape onto bathroom floor. LASCO highly recommends you take the following precautions:

1. Install only the minimum number of ADA units without an interior curb and a 3/4" or 1" skirt required for each job. If possible, install LASCO's barrier-free models that have a 1 1/4" or 2" high skirt, which have a 1/2" interior curb, reducing the amount of water that escapes from the shower.
2. When installing units with NO interior curb install a FLOOR DRAIN to control the water that escapes onto the bathroom floor.
3. Depending on your application, you may choose to install LASCO's vinyl flexible dam or removable threshold, which helps better retain water within the shower. However, these items may not necessarily meet ADA or other code requirements. Please check with your Local Building Authority for final approval.

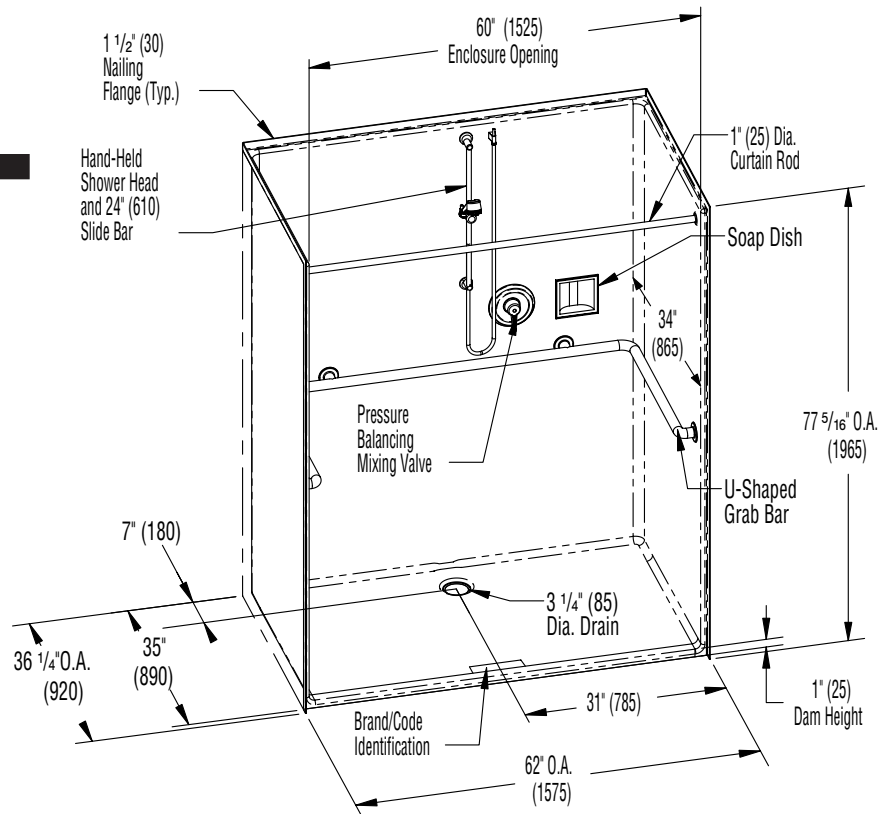
STANDARD FEATURES

- *Texas Accessibility Standards compliant [when fully equipped]
- Barrier-free design
- Center rear drain location
- Slip resistant, textured bottom [ASTM F-462]

RECOMMENDED ACCESSORIES

- Fixture wall: Left Right Back
- Grab bars [1 1/2" dia. (40mm)]:
 No seat: U-shaped
 30" x 60" x 30" (760 x 1525 x 760)mm
 Stainless Steel Powder-Coated White
- L-shaped fold-up cushioned seat LH RH [adjacent fixture wall]
- Hand-held shower
- 24" (610mm) slide bar, vacuum breaker and 60" (1525mm) hose
- Pressure balancing mixing valve
- Soap dish
- Curtain rod Shower curtain
- Brass drain
- Additional accessories _____

For pricing of units and additional options, reference The Complete Works Price Book.



Please indicate custom changes on reverse side drawings.

PLEASE REFERENCE PAGE – i – FOR CODES AND PRODUCT SPECIFICATIONS

LASCO FreedomLine — TAS Compliant

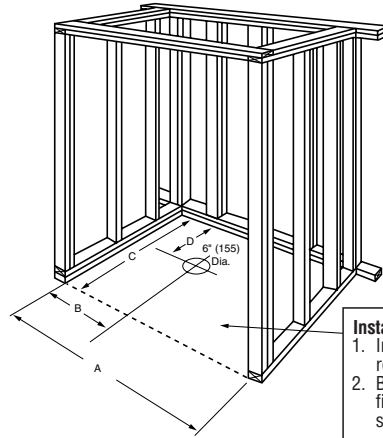
Submittal Sheet



1603-BFSTX No Seat and U-Shaped Grab Bar

FRAMING DIMENSIONS

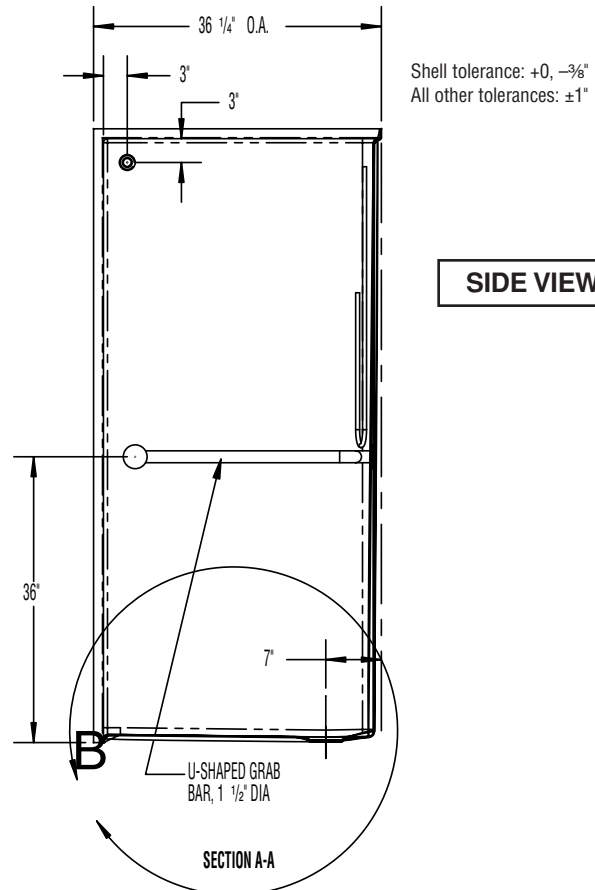
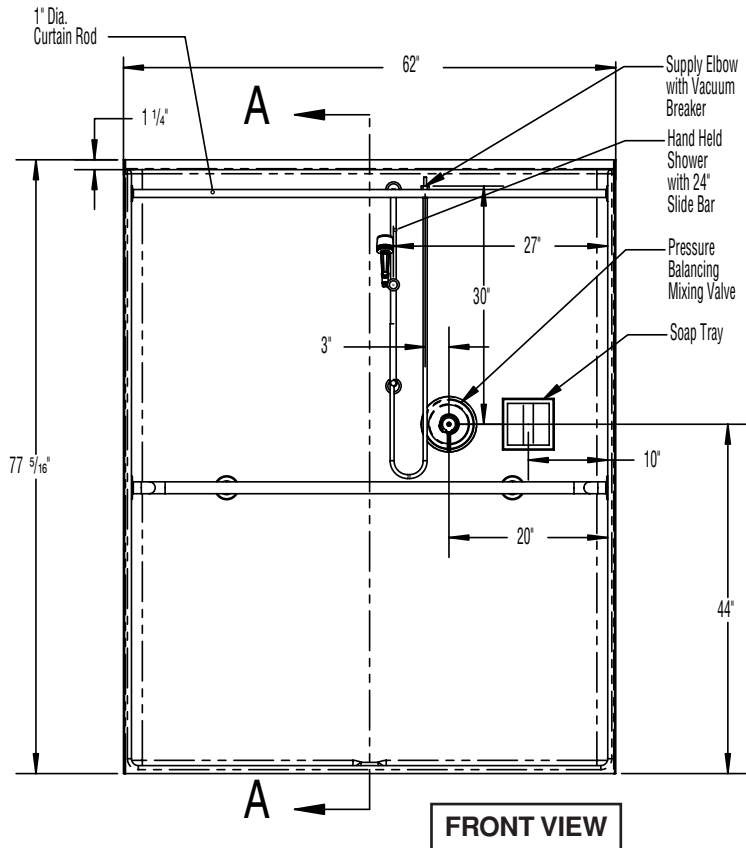
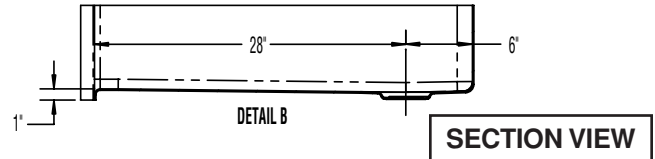
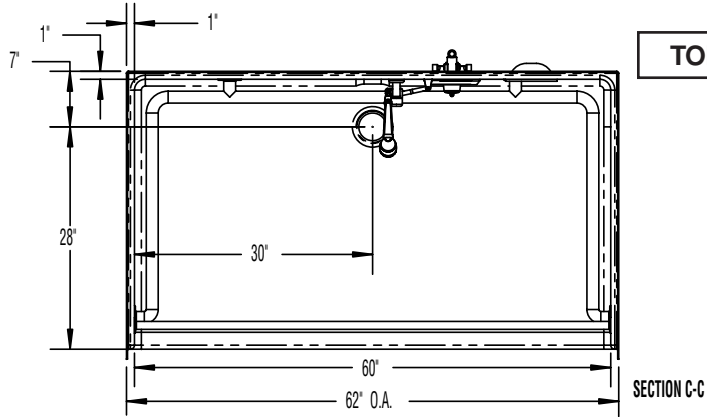
Dim. A	62 1/8" (1580mm)
Dim. B	31" (790mm)
Dim. C	36 1/4" (920mm)
Dim. D	7" (180mm)



Installation Options:

1. Install in a recessed pit for rough-in floor installation.
2. Build sub-floor to level finished floor with top of shower threshold.

Please indicate changes needed.



FAX TO THE LASCO BATHWARE CENTRALIZED CUSTOMER SERVICE CENTER
(866) 544-5353