

Submittal Sheet



3636-BFSMA

DATE: _____ LASCO PLANT: _____
 CUSTOMER: _____ JOB NAME: _____
 PO #: _____ SHIP TO: _____
 QUOTE #: _____ QUANTITY: _____

_____/_____/_____
 PLUMBING CONTRACTOR APPROVAL DATE GENERAL CONTRACTOR APPROVAL DATE
 _____/_____/_____
 ENGINEER APPROVAL DATE ARCHITECT APPROVAL DATE

**To complete your order, this document must be signed and faxed to the LASCO Bathware Centralized Customer Service Center.
 Fax (866) 544-5353 • Phone (800) 94 LASCO**

3636-BFSMA	
Int. Dim.	36"W x 36"D x 80 ⁷ / ₁₆ "H (915 x 915 x 2045)mm
Ext. Dim.	41"W x 37"D x 83 ³ / ₄ "H (1040 x 940 x 2130)mm
Skirt Ht.	1 ³ / ₄ " (45mm) skirt, 1/2" (15mm) interior threshold
Weight	171.5 lbs. (77 kg.) gross
Material	ACRYLIC
Warranty	Acrylic Finished Products — Five Years
Code Listed	Massachusetts



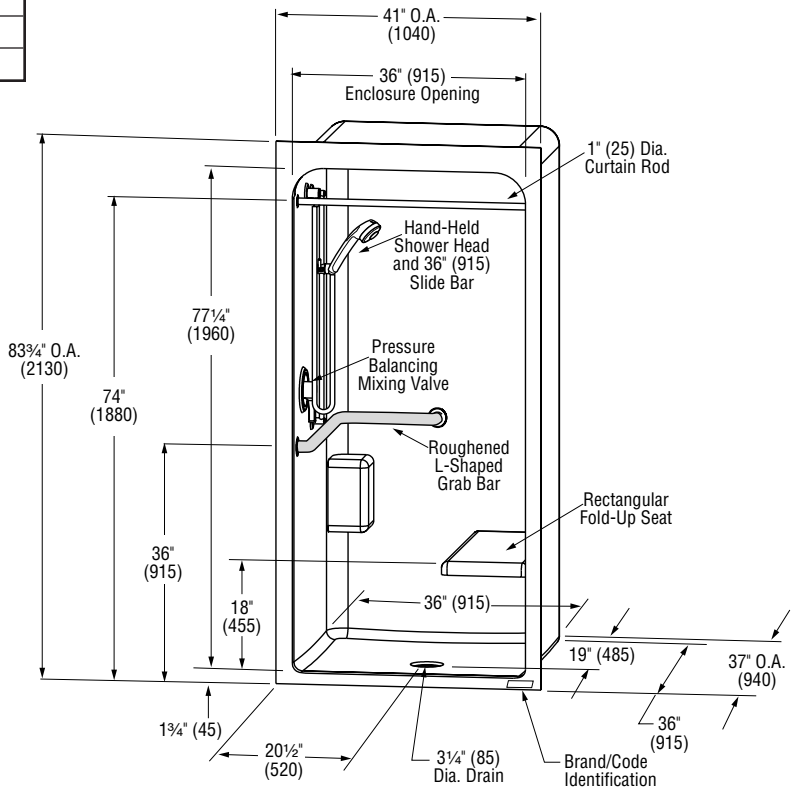
STANDARD FEATURES

- MA Code compliant [when fully equipped]
- Lustrous, durable, easy-to-clean Lucite® cast acrylic
- Integral dome
- Built-in soap shelf
- Center drain location
- Slip resistant, textured bottom [ASTM F-462]

RECOMMENDED ACCESSORIES

- Fixture Wall: Left Right
- Roughened horizontal L-shaped grab bar [1 1/2" dia. (40mm)]:
 Fixture wall 27 3/4" (705mm), Back wall 18" (455mm)
- Rectangular fold-up cushioned seat [opposite fixture wall]
- Hand-held shower
- 36" (915mm) slide bar, vacuum breaker and 60" (1525mm) hose
- Pressure balancing mixing valve
- Curtain rod Shower curtain
- Dome light
- Standard Color: White Other _____
- Brass drain
- Additional accessories _____

For pricing of units and additional options, reference The Complete Works Price Book.



Please indicate custom changes on reverse side drawings.

PLEASE REFERENCE PAGE – i – FOR CODES AND PRODUCT SPECIFICATIONS

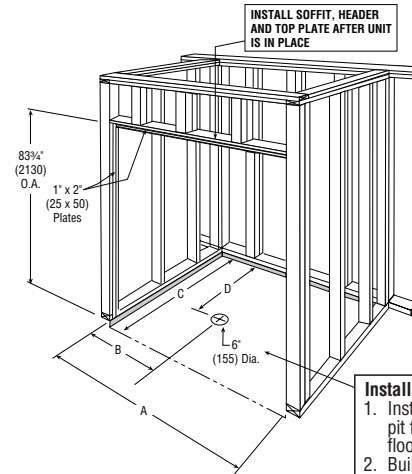
Submittal Sheet



3636-BFSMA

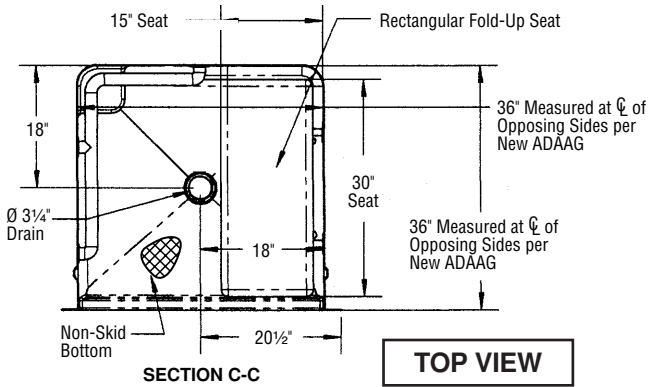
FRAMING DIMENSIONS

Dim. A	41" (1040mm)
Dim. B	20½" (520mm)
Dim. C	37" (940mm)
Dim. D	19" (480mm)

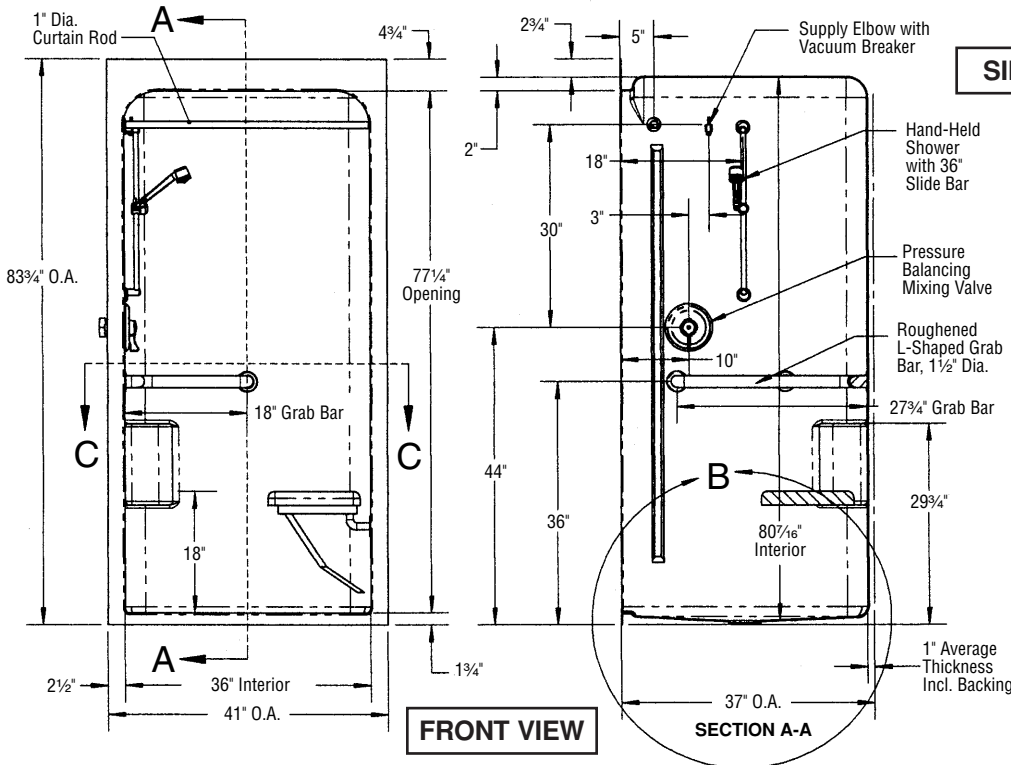
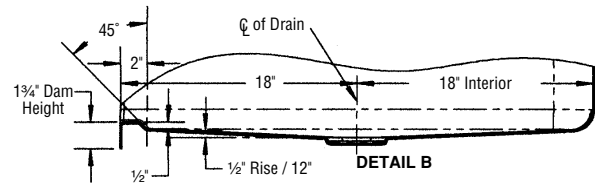


- Installation Options:**
1. Install in a recessed pit for rough-in floor installation.
 2. Build sub-floor to level finished floor with top of shower threshold.

Please indicate changes needed.



SECTION VIEW



Shell tolerance: ±¾"
All other tolerances: ±1"

FAX TO THE LASCO BATHWARE CENTRALIZED CUSTOMER SERVICE CENTER
(866) 544-5353