

Submittal Sheet



6036-BFSCMA



DATE: _____ LASCO PLANT: _____
 CUSTOMER: _____ JOB NAME: _____
 PO #: _____ SHIP TO: _____
 QUOTE #: _____ QUANTITY: _____

_____/_____/_____
 PLUMBING CONTRACTOR APPROVAL DATE GENERAL CONTRACTOR APPROVAL DATE
 _____/_____/_____
 ENGINEER APPROVAL DATE ARCHITECT APPROVAL DATE

**To complete your order, this document must be signed and faxed to the LASCO Bathware Centralized Customer Service Center.
 Fax (866) 544-5353 • Phone (800) 94 LASCO**

6036-BFSCMA	
Int. Dim.	60"W x 36"D x 79"H (1525 x 915 x 2005)mm
Ext. Dim.	65"W x 37"D x 83½"H (1650 x 940 x 2120)mm
Skirt Ht.	1" (25mm) skirt, NO interior threshold
Weight	209.5 lbs. (95 kg.) gross
Material	ACRYLIC
Warranty	Acrylic Finished Products — Five Years
Code Listed	Massachusetts

WARNING: Due to government regulations regarding ADA compliance, all ADA compliant shower units with NO inside curb and a ¾" or 1" skirt, will have water escape onto bathroom floor. LASCO highly recommends you take the following precautions:

1. Install only the minimum number of ADA units without an interior curb and a ¾" or 1" skirt required for each job. If possible, install LASCO's barrier-free models that have a 1½" or 2" high skirt, which have a ½" interior curb, reducing the amount of water that escapes from the shower.
2. When installing units with NO interior curb install a **FLOOR DRAIN** to control the water that escapes onto the bathroom floor.
3. Depending on your application, you may choose to install LASCO's vinyl flexible dam or removable threshold, which helps better retain water within the shower. However, these items may not necessarily meet ADA or other code requirements. Please check with your Local Building Authority for final approval.

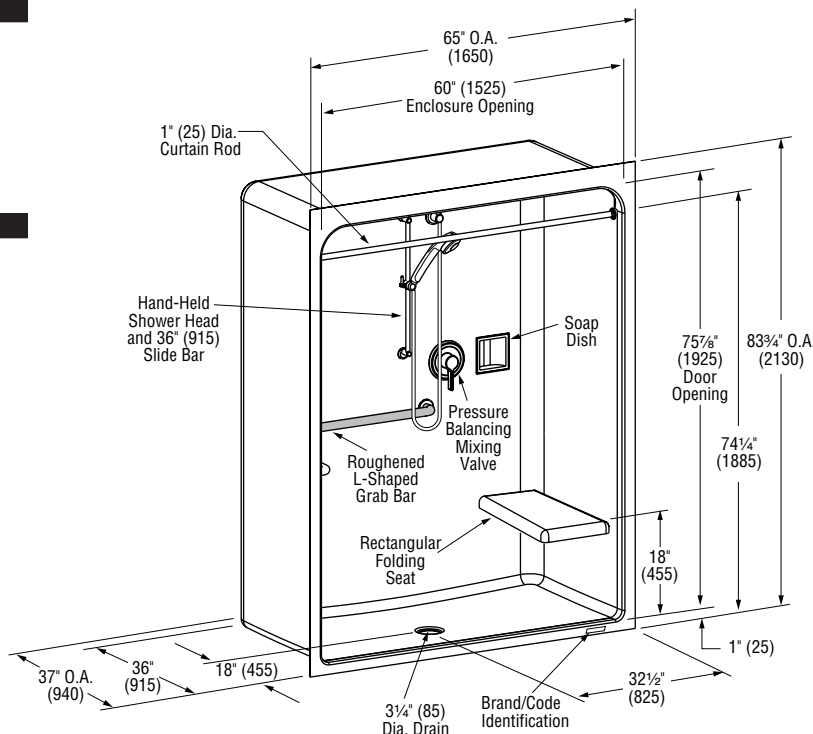
STANDARD FEATURES

- ADA/ANSI compliant [when fully equipped]
- Lustrous, durable, easy-to-clean Lucite® cast acrylic
- Integral dome
- Back fixture wall
- Center/center drain location
- Slip resistant, textured bottom [ASTM F-462]

RECOMMENDED ACCESSORIES

- Roughened horizontal L-shaped grab bar [1½" dia. (40mm)]: 28¾" x 42" (730 x 1070)mm
- Rectangular fold-up cushioned seat LH RH [adjacent fixture wall]
- Hand-held shower
- 36" (915mm) slide bar, vacuum breaker and 60" (1525mm) hose
- Pressure balancing mixing valve
- Soap dish
- Curtain rod Shower curtain
- Dome light
- Vinyl flexible dam
- Removable threshold
- Standard Color: White Other _____
- Brass drain
- Additional accessories _____

For pricing of units and additional options, reference The Complete Works Price Book.



Please indicate custom changes on reverse side drawings.

PLEASE REFERENCE PAGE – i – FOR CODES AND PRODUCT SPECIFICATIONS

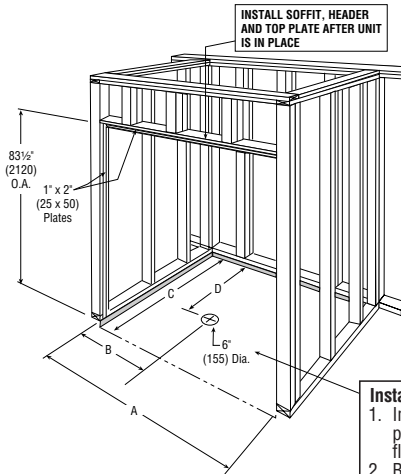
Submittal Sheet



6036-BFSCMA

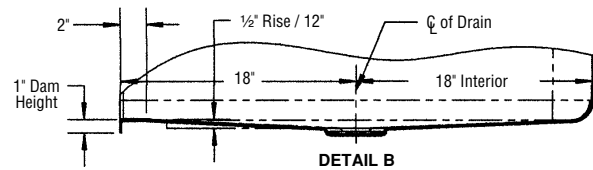
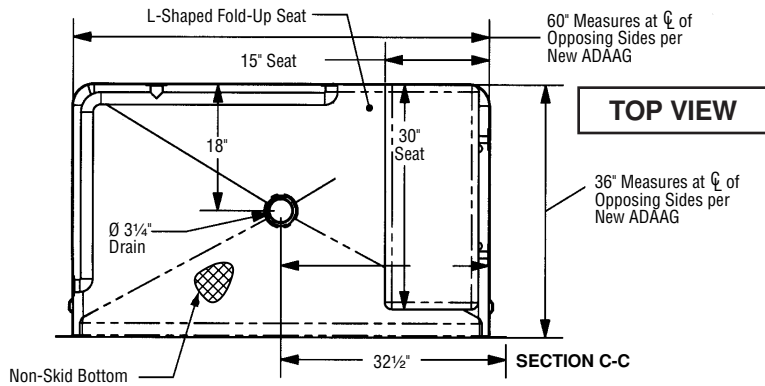
FRAMING DIMENSIONS

Dim. A	65" (1650mm)
Dim. B	32½" (825mm)
Dim. C	37" (940mm)
Dim. D	19" (480mm)

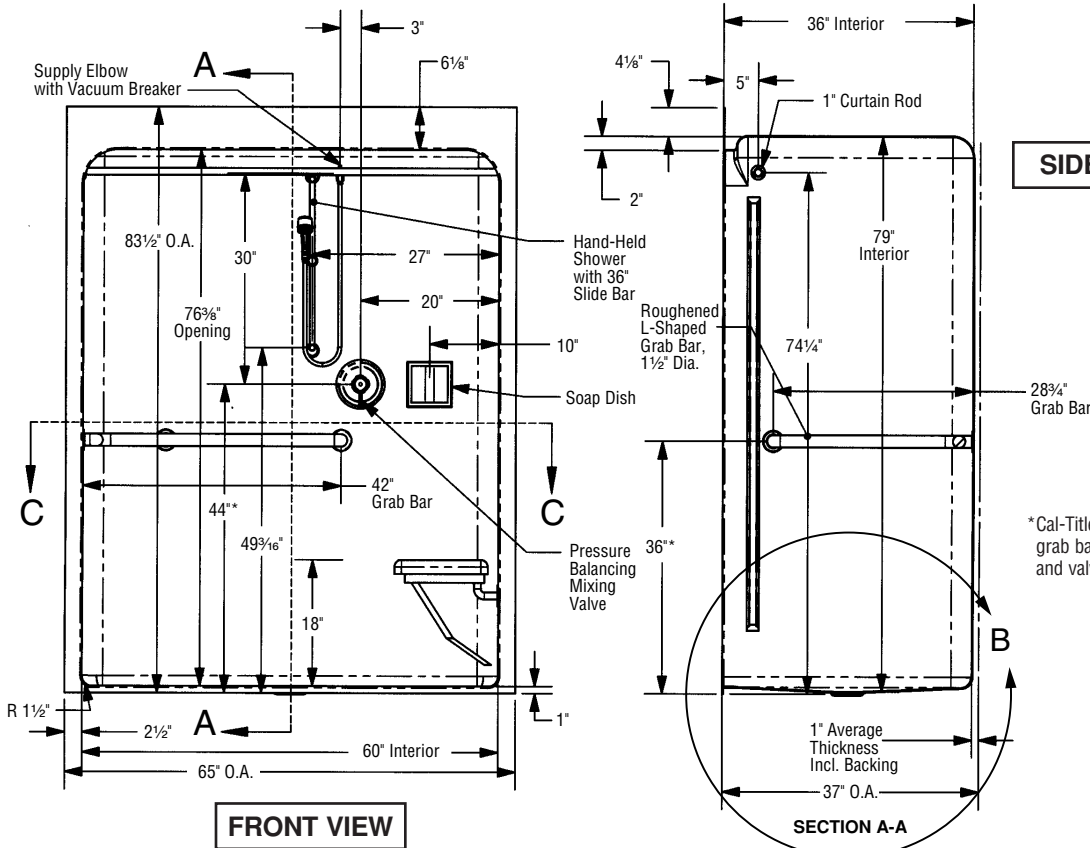


- Installation Options:**
1. Install in a recessed pit for rough-in floor installation.
 2. Build sub-floor to level finished floor with top of shower threshold.

Please indicate changes needed.



SECTION VIEW



Shell tolerance: ± $\frac{3}{8}$ "
All other tolerances: ±1"

*Cal-Title 24 compliant when grab bar is mounted at 33" and valve at 40"