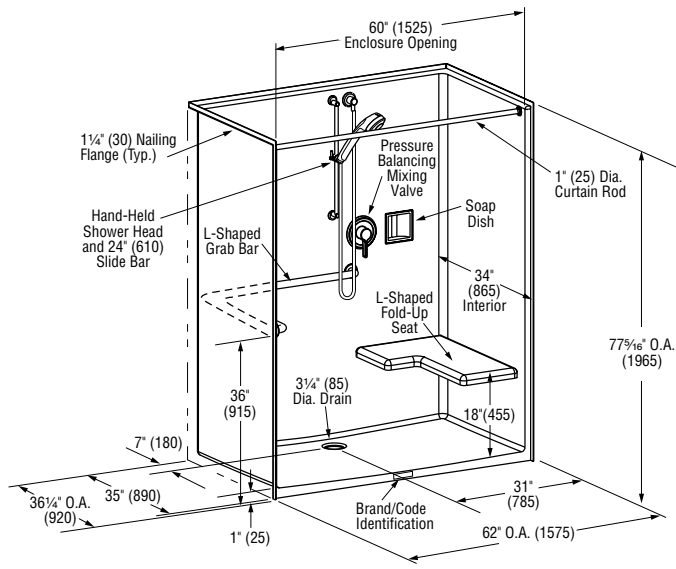


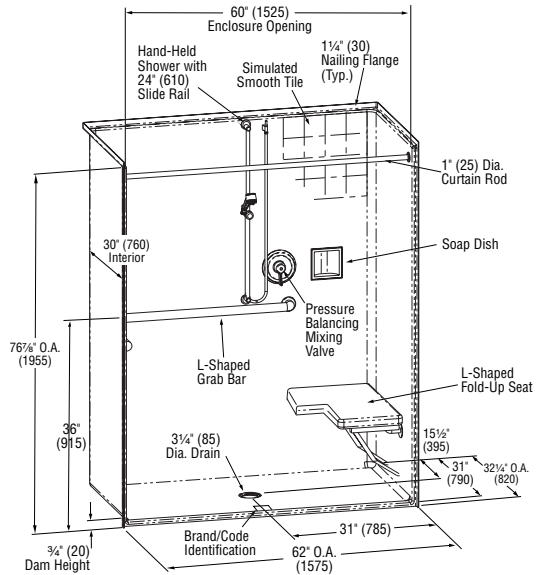
1603-BFSTX



Int. Dim.	60\"/>
Ext. Dim.	62\"/>
Skirt Ht.	1\"/>
Weight	201.5 lbs. (91kg) gross
Material	LASCOAT (Gelcoat)
Warranty	Lascoat Finished Products — Three Years
Fax-On-Demand #	6009

STANDARD FEATURES	RECOMMENDED ACCESSORIES
<ul style="list-style-type: none"> *Texas Accessibility Standards compliant [when fully equipped] Barrier-free design Center rear drain location Slip resistant, textured bottom [ASTM F-462] 	<ul style="list-style-type: none"> RH, LH or Back fixture wall Horizontal L-shaped grab bars [1½\"/>

1603-BFSTTX



Int. Dim.	60\"/>
Ext. Dim.	62\"/>
Skirt Ht.	¾\"/>
Weight	180.5 lbs. (82kg) gross
Material	LASCOAT (Gelcoat)
Warranty	Lascoat Finished Products — Three Years
Fax-On-Demand #	6043

STANDARD FEATURES	RECOMMENDED ACCESSORIES
<ul style="list-style-type: none"> *Texas Accessibility Standards compliant [when fully equipped] 4\"/> 	<ul style="list-style-type: none"> RH, LH or Back fixture wall Horizontal L-shaped grab bars [1½\"/>

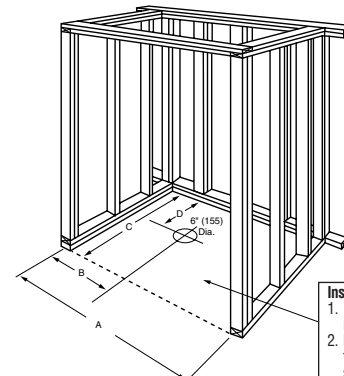
Notes: *TAS (Texas Accessibility Standard) Compliant unit must be installed with L-shaped grab bars, pressure balancing mixing valve, hand-held shower head with 24\"/>

For ease of installation, all LASCO units may be installed in one of two ways. Units may be installed in a recessed pit for rough-in floor installation or build the sub-floor to level the finished floor with the top of shower threshold to allow easy wheelchair access.

FRAMING DIMENSIONS

MODEL #	DIM. A	DIM. B	DIM. C	DIM. D
1603-BFSTX	62½\"/>			
1603-BFSTTX	62½\"/>			

WIDTH (DIM. A) DIMENSIONAL TOLERANCE +0, -¾\"/>



Installation Options:
 1. Install in a recessed pit for rough-in floor installation.
 2. Build sub-floor to level the finished floor with top of shower threshold.