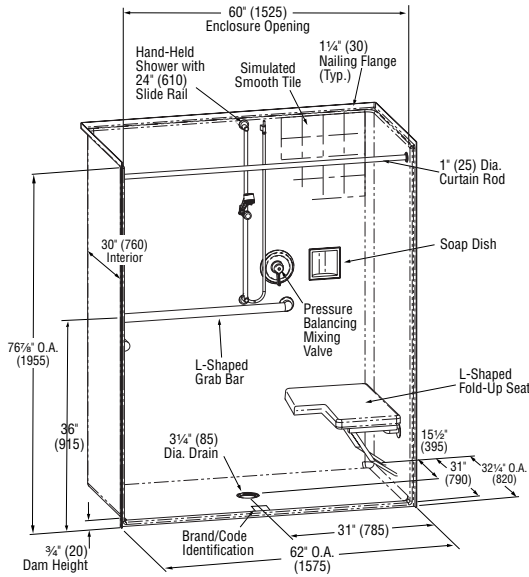


1623-BFSTTX



Int. Dim.	60"W x 30"D x 74 ⁷ / ₈ "H (1525 x 760 x 1900)mm
Ext. Dim.	62"W x 32 ¹ / ₄ "D x 76 ⁷ / ₈ "H (1575 x 820 x 1955)mm
Skirt Ht.	3/4" (20mm) skirt, NO interior curb
Weight	180.5 lbs. (82kg) gross
Material	LASCOAT (Gelcoat)
Warranty	Lascoat Finished Products — Three Years
Fax-On-Demand #	6041

STANDARD FEATURES	RECOMMENDED ACCESSORIES
<ul style="list-style-type: none"> *Texas Accessibility Standards compliant [when fully equipped] 4" simulated smooth tile design Barrier-free design Center/center drain location Slip resistant, textured bottom [ASTM F-462] 	<ul style="list-style-type: none"> RH or LH fixture wall Horizontal L-shaped grab bars [1 1/2" Dia (40mm)]: 26" x 37 1/4" (660x945)mm L-shaped fold-up seat [adjacent fixture wall] Hand-held shower 24" (610mm) slide bar, vacuum breaker and 60" (1525mm) hose Pressure balancing mixing valve Soap dish Curtain rod and/or shower curtain Brass drain



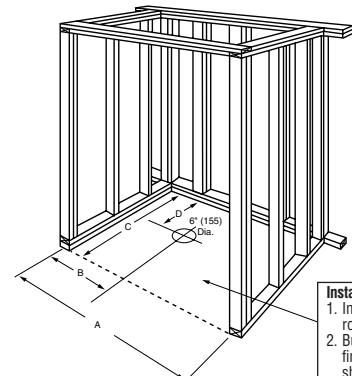
Notes: * TAS (Texas Accessibility Standard) Compliant unit must be installed with L-shaped grab bars, pressure balancing mixing valve, hand-held shower head with 24" (610mm) slide bar, vacuum breaker, 60" (1525mm) hose and L-shaped fold-up seat.

For ease of installation, all LASCO units may be installed in one of two ways. Units may be installed in a recessed pit for rough-in floor installation or build the sub-floor to level the finished floor with the top of shower threshold to allow easy wheelchair access.

FRAMING DIMENSIONS

MODEL #	DIM. A	DIM. B	DIM. C	DIM. D
1623-BFSTTX	62 ¹ / ₈ " (1580mm)	31" (790mm)	32 ¹ / ₄ " (820mm)	15 ¹ / ₂ " (395mm)

WIDTH (DIM. A) DIMENSIONAL TOLERANCE +0, -3/8" (±5mm)
ALL OTHER DIMENSIONAL TOLERANCES ± 3/8" (±5mm)



Installation Options:
1. Install in a recessed pit for rough-in floor installation.
2. Build sub-floor to level the finished floor with top of shower threshold.