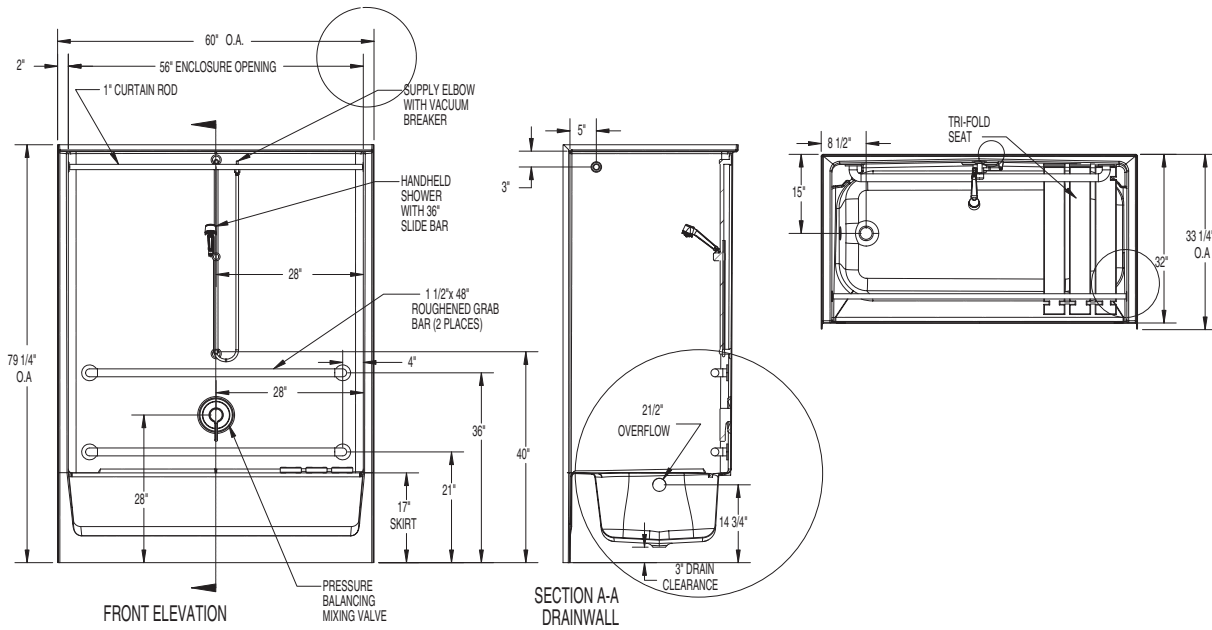


**2603-SMTEMA**



Int. Dim.	56"W x 32"D x 78"H (1422 x 819 x 1981)mm
Ext. Dim.	60"W x 33 1/4"D x 79 1/4"H (1524 x 845 x 2013)mm
Skirt Ht.	17" (432mm)
Weight	215.5 lbs. (97kg) gross
Material	<b>LASCOAT (Gelcoat)</b>
Warranty	Lascoat Finished Products — Three Years
Fax-On-Demand #	6533

STANDARD FEATURES	RECOMMENDED ACCESSORIES
<ul style="list-style-type: none"> <li>• Integral toiletry shelves</li> <li>• LH or RH drain location</li> <li>• Slip resistant, textured bottom [ASTM F-462]</li> <li>• MA compliant (when fully equipped)</li> </ul>	<ul style="list-style-type: none"> <li>• Roughened grab bars [1 1/2" Dia. (40mm)]: [2 ea] 48" (1220mm), back &amp; side walls</li> <li>• Tri-fold, plastic removable seat or teakwood finish fold-up seat</li> <li>• Hand held shower</li> <li>• 36" (914mm) slide bar, vacuum breaker and 60" (1525mm) hose</li> <li>• Pressure balancing mixing valve</li> <li>• Curtain rod and/or shower curtain</li> </ul>



**FRAMING DIMENSIONS**

MODEL #	DIM. A	DIM. B	DIM. C	DIM. D
2603-SMTMA	60 1/8" (1525mm)	8 1/2" (215mm)	33 1/4" (845mm)	15" (380mm)

WIDTH (DIM. A) DIMENSIONAL TOLERANCE +0, -3/8" (±5mm)  
ALL OTHER DIMENSIONAL TOLERANCES ± 3/8" (±5mm)

