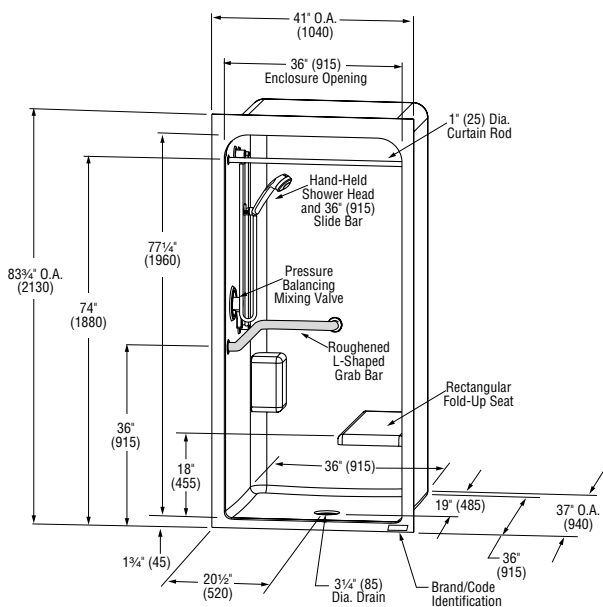


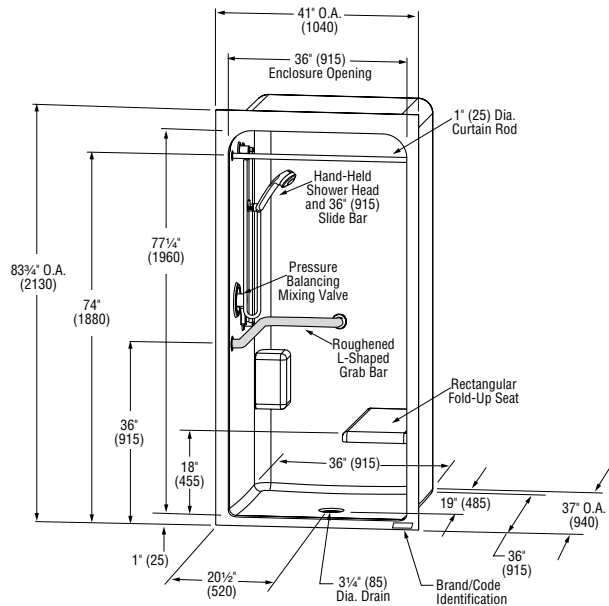
3636-BFSMA



Int. Dim.	36"W x 36"D x 80 ⁷ / ₁₆ "H (915 x 915 x 2045)mm
Ext. Dim.	41"W x 37"D x 83 ³ / ₄ "H (1040 x 940 x 2130)mm
Skirt Ht.	1 ³ / ₄ " (45mm) skirt, 1/2" (15mm) interior threshold
Weight	171.5 lbs. (77kg) gross
Material	ACRYLIC
Warranty	Acrylic Finished Products — Five Years
Fax-On-Demand #	6019

STANDARD FEATURES	RECOMMENDED ACCESSORIES
<ul style="list-style-type: none"> *Massachusetts compliant [when fully equipped] Lustrous, durable, easy-to-clean acrylic Integral dome Built-in soap shelf Center drain location Slip resistant, textured bottom [ASTM F-462] 	<ul style="list-style-type: none"> LH or RH fixture wall Roughened horizontal L-shaped grab bars [1¹/₂" Dia. (40mm)]: Fixture wall 27³/₄" (705mm), Back wall 30" (760mm) Rectangular fold-up cushioned seat [opposite fixture wall] Hand-held shower 36" (915mm) slide bar, vacuum breaker and 60" (1525mm) hose Pressure balancing mixing valve Curtain rod and/or shower curtain Dome light Brass drain

3636-BFSCMA



Int. Dim.	36"W x 36"D x 80 ⁷ / ₁₆ "H (915 x 915 x 2045)mm
Ext. Dim.	41"W x 37"D x 83 ¹ / ₂ "H (1040 x 940 x 2120)mm
Skirt Ht.	1" (25mm) skirt, NO interior threshold
Weight	171.5 lbs. (77kg) gross
Material	ACRYLIC
Warranty	Acrylic Finished Products — Five Years
Fax-On-Demand #	6047

STANDARD FEATURES	RECOMMENDED ACCESSORIES
<ul style="list-style-type: none"> *Massachusetts compliant [when fully equipped] Lustrous, durable, easy-to-clean Lucite® cast acrylic Integral dome Built-in soap shelf Center drain location Slip resistant, textured bottom [ASTM F-462] 	<ul style="list-style-type: none"> RH or LH fixture wall Horizontal L-shaped grab bar [1¹/₂" Dia. (40mm)]: Fixture wall 27³/₄" (705mm), Back wall 18" (455mm) Rectangular fold-up cushioned seat [opposite fixture wall] Hand-held shower 36" (915mm) slide bar, vacuum breaker and 60" (1525mm) hose Pressure balancing mixing valve Curtain rod and/or shower curtain Dome light Brass drain

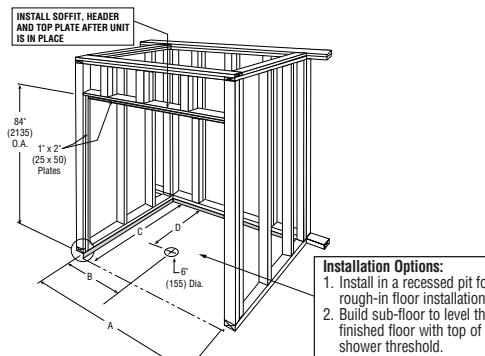
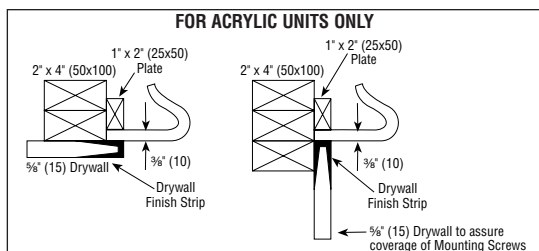
Notes: * For MA (Massachusetts) compliance, unit must be installed with roughened L-shaped grab bar, pressure balancing mixing valve and hand-held shower head with 36" (915mm) slide bar, vacuum breaker, 60" (1525mm) hose and rectangular fold-up seat.

For ease of installation, all LASCO units may be installed in one of two ways. Units may be installed in a recessed pit for rough-in floor installation or build the sub-floor to level the finished floor with the top of shower threshold to allow easy wheelchair access.

FRAMING DIMENSIONS

MODEL #	DIM. A	DIM. B	DIM. C	DIM. D
3636-BFSMA / 3636-BFSCMA	41" (1040mm)	20 ¹ / ₂ " (520mm)	37" (940mm)	19" (480mm)

WIDTH (DIM. A) DIMENSIONAL TOLERANCE +0, -3/8" (±5mm)
ALL OTHER DIMENSIONAL TOLERANCES ± 3/8" (±5mm)



Installation Options:
1. Install in a recessed pit for rough-in floor installation.
2. Build sub-floor to level the finished floor with top of shower threshold.