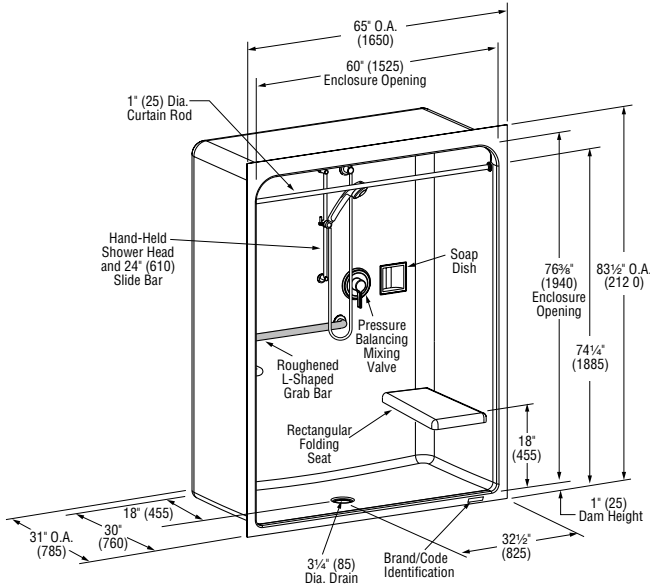
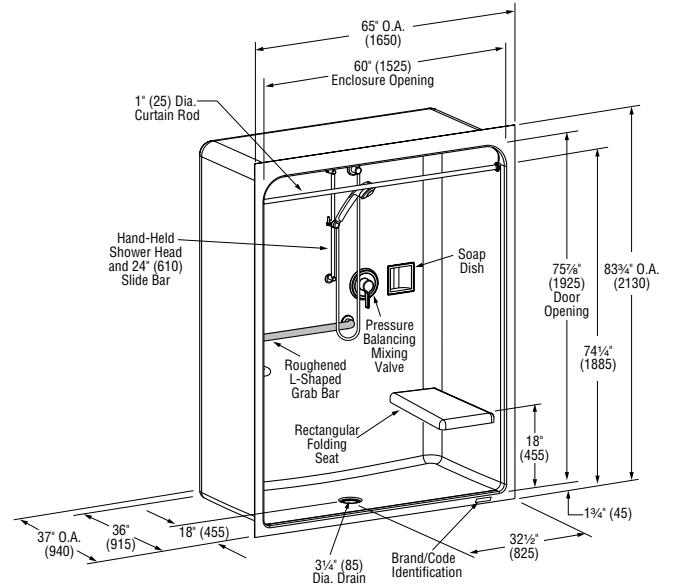


6030-BFSCMA



6036-BFSCMA



Int. Dim.	60"W x 30"D x 78 ¹⁵ / ₁₆ "H (1525 x 760 x 2005)mm
Ext. Dim.	65"W x 31"D x 83 ¹ / ₂ "H (1650 x 785 x 2120)mm
Skirt Ht.	1" (25mm) skirt, NO interior threshold
Weight	205.5 lbs. (93kg) gross
Material	ACRYLIC
Warranty	Acrylic Finished Products — Five Years
Fax-On-Demand #	6048

Int. Dim.	60"W x 36"D x 79"H (1525 x 915 x 2005)mm
Ext. Dim.	65"W x 37"D x 83 ¹ / ₂ "H (1650 x 940 x 2120)mm
Skirt Ht.	1" (25mm) skirt, NO interior threshold
Weight	209.5 lbs. (95kg) gross
Material	ACRYLIC
Warranty	Acrylic Finished Products — Five Years
Fax-On-Demand #	6049

STANDARD FEATURES	RECOMMENDED ACCESSORIES
<ul style="list-style-type: none"> *Massachusetts compliant [when fully equipped] Lustrous, durable, easy-to-clean Lucite® cast acrylic Integral dome Back fixture wall Center/center drain location Slip resistant, textured bottom [ASTM F-462] 	<ul style="list-style-type: none"> Roughened horizontal L-shaped grab bars [1½" Dia (40mm)]: 22¾" x 42" (580x1065)mm Rectangular fold-up cushioned seat [adjacent fixture wall] Hand-held shower 36" (915mm) slide bar, vacuum breaker and 60" (1525mm) hose Pressure balancing mixing valve Soap dish Curtain rod and/or shower curtain Dome light Brass drain

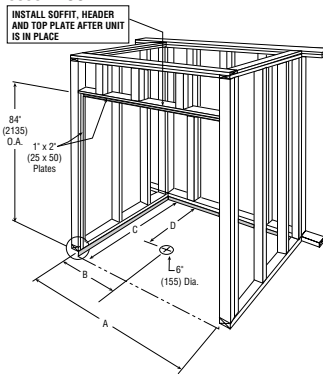
STANDARD FEATURES	RECOMMENDED ACCESSORIES
<ul style="list-style-type: none"> *Massachusetts compliant [when fully equipped] Lustrous, durable, easy-to-clean Lucite® cast acrylic Back fixture wall Integral dome Center/center drain location Slip resistant, textured bottom [ASTM F-462] 	<ul style="list-style-type: none"> Roughened horizontal L-shaped grab bars [1½" Dia (40mm)]: 28¾" x 42" (730x1065)mm Rectangular fold-up cushioned seat [adjacent fixture wall] Hand-held shower 36" (915mm) slide bar, vacuum breaker and 60" (1525mm) hose Pressure balancing mixing valve Soap dish Curtain rod and/or shower curtain Dome light Brass drain

Notes: * For MA (Massachusetts) compliance, unit must be installed with roughened L-shaped grab bar, pressure balancing mixing valve and hand-held shower head with 36" (915mm) slide bar, vacuum breaker, 60" (1525mm) hose and rectangular fold-up seat.

For ease of installation, all LASCO units may be installed in one of two ways. Units may be installed in a recessed pit for rough-in floor installation or build the sub-floor to level the finished floor with the top of shower threshold to allow easy wheelchair access.

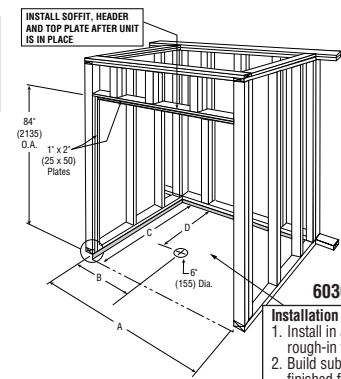
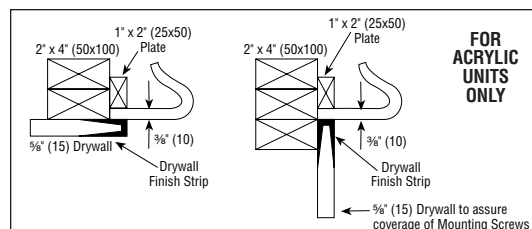
FRAMING DIMENSIONS

6030-BFSC



MODEL #	DIM. A	DIM. B	DIM. C	DIM. D
6036-BFSCMA	65" (1650mm)	32½" (825mm)	37" (940mm)	19" (480mm)
6030-BFSCMA	65" (1650mm)	32½" (825mm)	31" (785mm)	16" (405mm)

WIDTH (DIM. A) DIMENSIONAL TOLERANCE +0, -3/8" (±5mm)
ALL OTHER DIMENSIONAL TOLERANCES ± 3/8" (±5mm)



6036-BFSC
Installation Options:
1. Install in a recessed pit for rough-in floor installation.
2. Build sub-floor to level the finished floor with top of shower threshold.